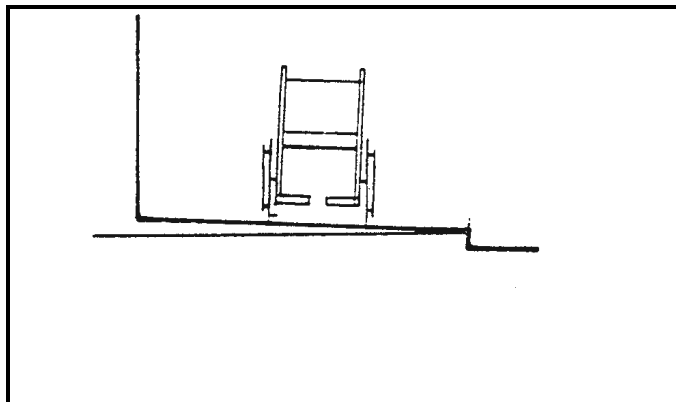


FACILITIES FOR DISABLED PERSONS

The following facilities are to be provided for Disabled people, **should the National Building Regulations and Building Standards Act of 1977 require** the facilities to be provided in any building.

Ramps for wheelchairs

- With a gradient of **1:12**, where the difference in level of the ends of the ramp is **greater than 400 mm**; or
- **1:10**, where such difference in level **does not exceed 400 mm**.
- Must have a clear trafficable surface **not less than 1,1 m wide**.
- Surface must be of a **non-slip material**.
- A landing is to be provided **for every 1,5 m of vertical rise, not less than 1,2 m** in length and the same width as the ramp.
- At entrance doors, the ramps surface should be level with a **minimum length of 2 m** if the door opens towards the ramp, and **1,8 m** if the door opens away from the ramp.
- A handrail on the side should be provided if the change between the ends of the ramp is **greater than 600 mm**, and should be positioned **between 850 mm and 1m** above the surface of such ramp, and is to follow the gradient of the ramp.
- The camber on ramps shall not exceed **1:40**.



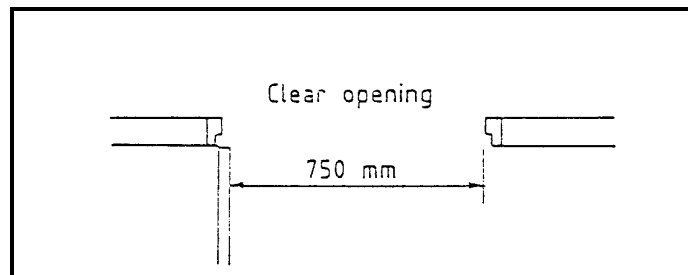
Ramp for wheelchairs with a camber

Parking Bays

- Where provision has been made within or outside any building for the parking of **more than 50** motor vehicles, **at least one space per 200** or part thereof of the total number of parking spaces shall be provided for the parking of disabled persons, and shall be of **approved length**, not less than **3,5m in width**, on a **level surface**, and be **located as near as possible** to the entrance of such building. These parking bays are to be **clearly demarcated** as being intended for the use of disabled persons. A vertical sign incorporating the international symbol for access by disabled people, and a sign indicating **“No Parking Except For Disabled Persons”** shall identify parking spaces.

Doorways

- Doorways designed for use by disabled people shall allow free access for wheelchairs. The clear opening shall be at least **750 mm**.

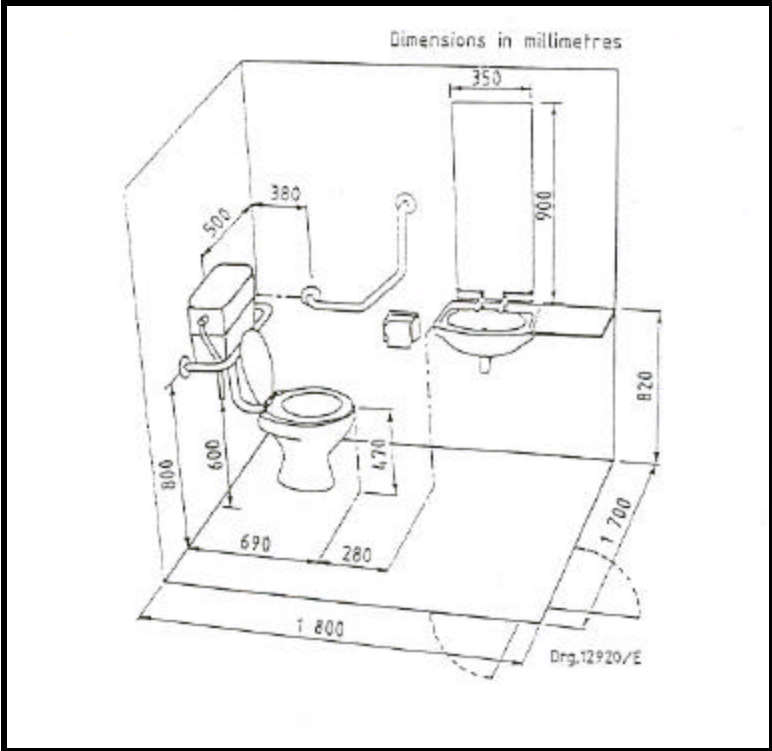


Doorway opening for the disabled

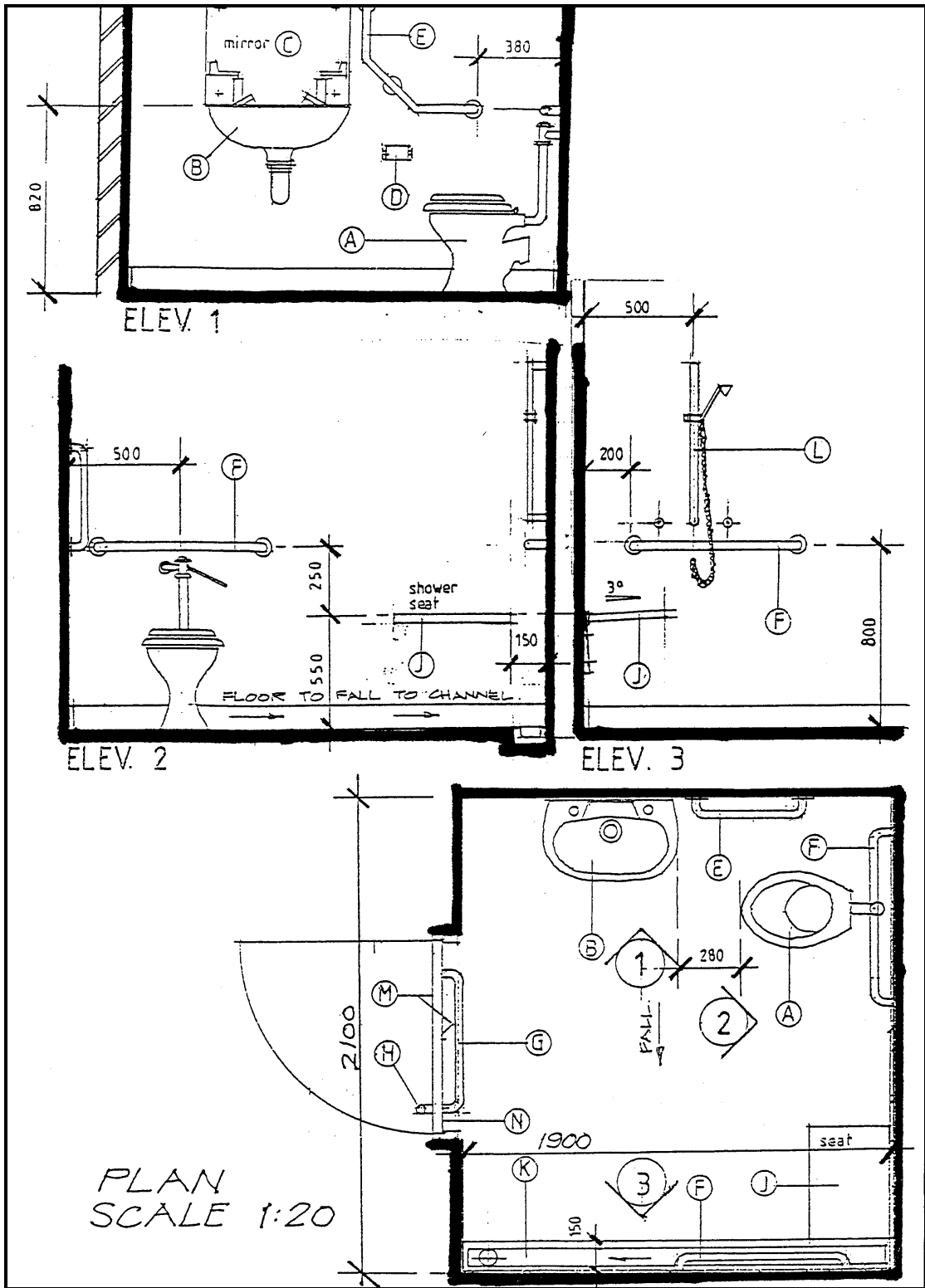
Toilet facilities

- For **every 20 toilet** compartments, which would have to include urinals, that are provided, **1 toilet** compartment for the disabled shall be provided, with minimum internal dimensions of **1,7 m by 1,8 m**. Disabled toilets are the only toilet facilities that operate as **“dual sex”** toilets i.e. a male may have to assist a disabled female in the toilet or vice versa.

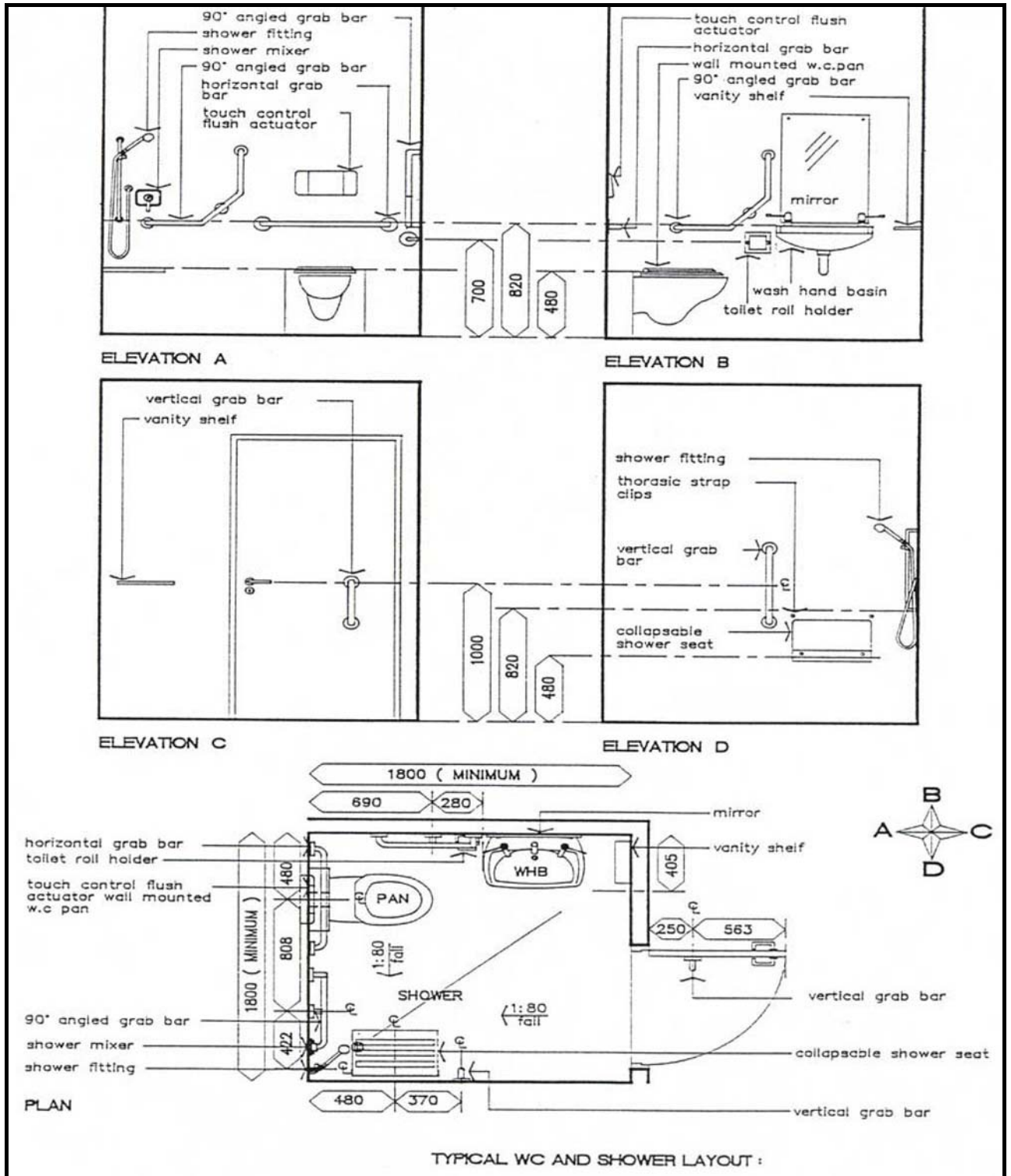
The diagrams below indicates the minimum dimensions for disabled toilets and shower facilities, including doorways.



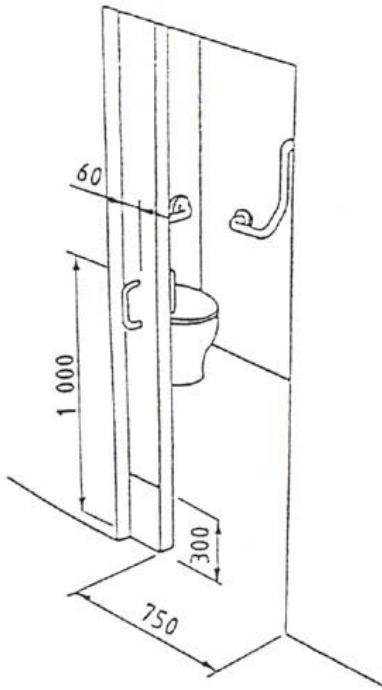
Layout of a disabled toilet facility



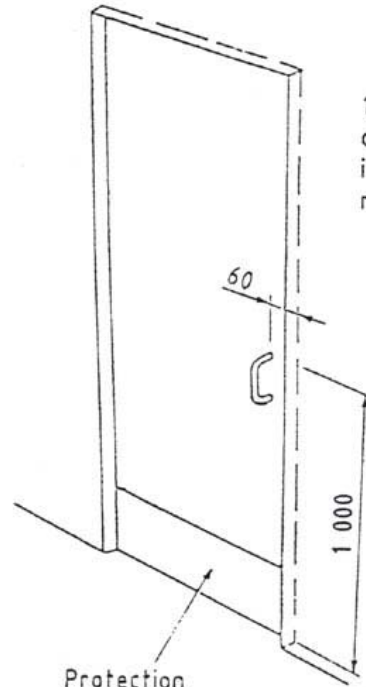
Minimum dimensions for a disabled WC and shower



Dimensions in millimetres



Sliding door
open

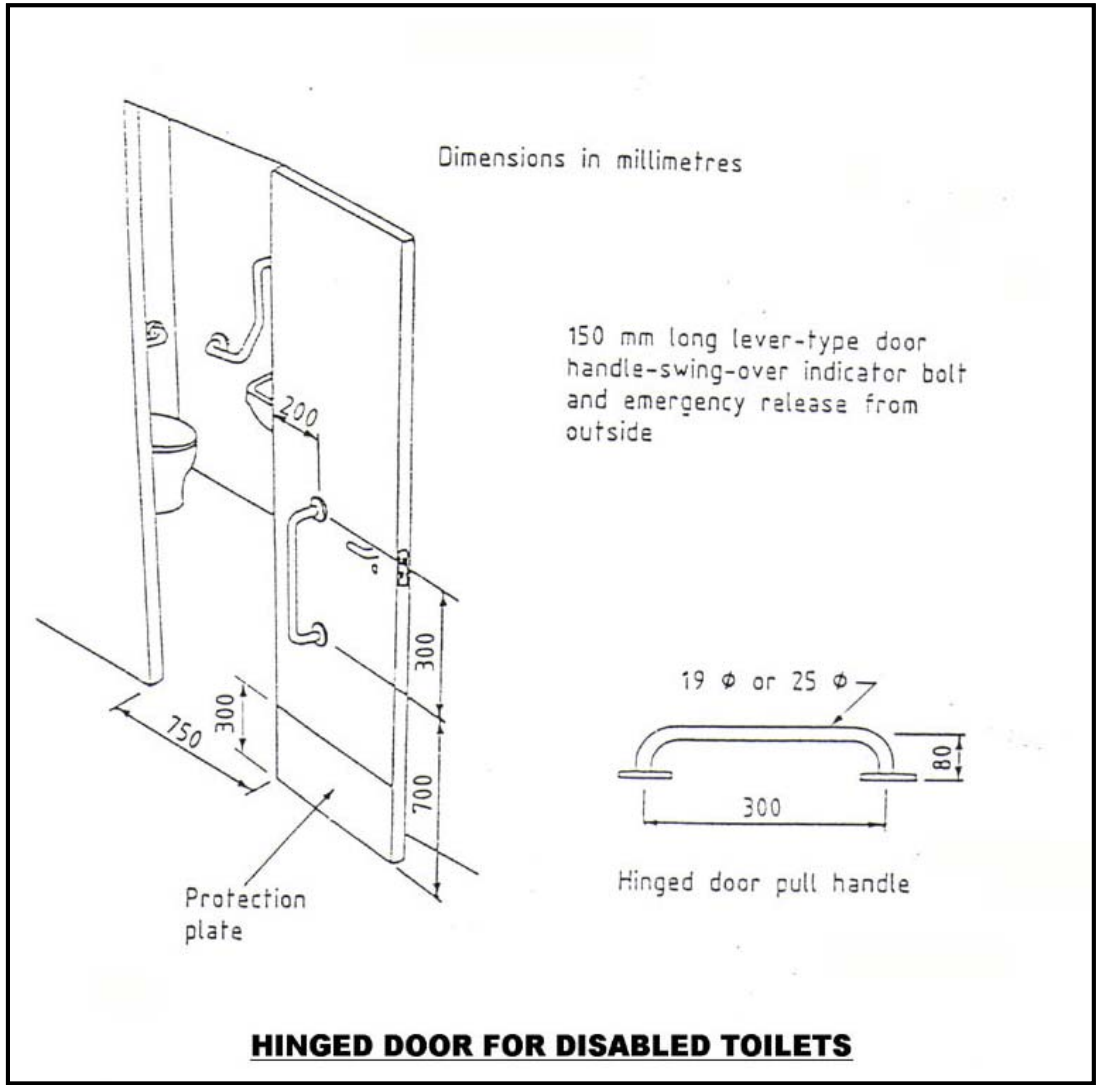


Protection
plate

Sliding door
closed

150 mm long pull handles
on both sides—swing-over
indicator bolt and emergency
release from outside

SLIDING DOOR FOR DISABLED TOILET



Indication of existence of facilities

- Where facilities for the disabled have been provided, the existence and location shall be indicated, both outside and inside the building. All signage shall comply with international standards.

Refer to **SABS CODE of PRACTICE 0246 – 1993** for further details on provision of disabled sanitary facilities.